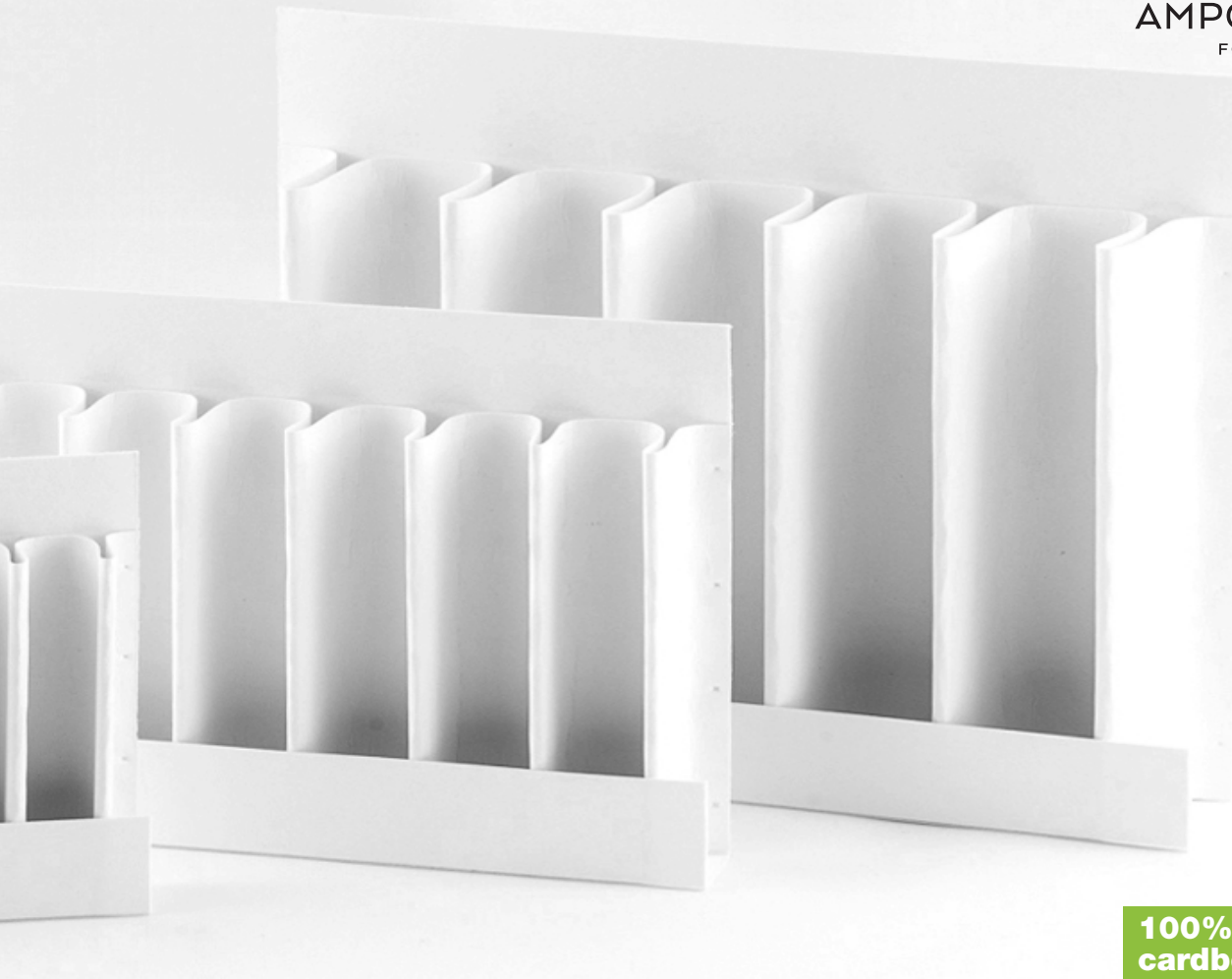




AMPOULE TRAY FOLDING BOX



**100% Plastic-free
cardboard**

AMPOULE TRAY ECO-FRIENDLY AND EASY TO USE

CSR - Corporate Social Responsibility

- IGB Ampoule Trays are entirely made of cardboard
- They are safe, eco-friendly and easy to use
- They are made without any high environmental impact material and in accordance with the ISO 14001 certification: Environmental Management System
- They can be made with FSC & PEFC Certified Cardboard

- They are made by a state-of-the-art machine, designed by IGB: unique in Italy and most advanced in Europe
- The trays are ideal for the packaging of pharmaceutical and cosmetic vials and ampoules



more
information

**CSR
READY**

AMPOULE TRAY

PRODUCT SPECIFICATIONS

TRAY	NUMBERS OF AMPOULES	A (mm)	B (mm)	H (mm)	F* (mm)	MOQ or multiples
2 ml	10	66,5±0,5	14±0,5	144±0,5	11±0,5	520 pcs
5 ml	10	81,5±0,5	18±0,5	190±0,5	14.9±0,5	250 pcs
10 ml	10	101,5±0,5	20±0,5	220±0,5	17,9±0,5	140 pcs
20 ml	5	111,5±0,5	26±0,5	150±0,5	22,7±0,5	150 pcs

* ampoule diameter including label

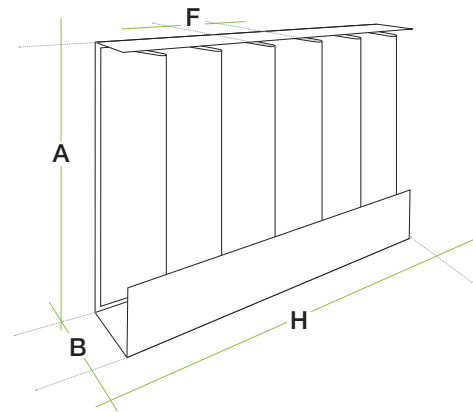
COVERS - Two different covers also available



Standard folding box

Twist-to-open cover

SIZES AND MESUREMENTS



Ampoule tray with twist-to-open cover

How it works



Hold the twist-to-open box



Twist it



Open it



Close it



IGB Europe

Registered Head Office: Via Pontaccio, 14 - 20121 Milano MI (Italy)

Operation Headquarters: Via Varese, 115 - 21059 Viggiù VA (Italy)

Production Department: Via Monte Chiusarella, 21 - 21056 Induno Olona VA (Italy)

T. +39 0332 48 73 72 - info@igbressan.com - www.igbressan.com

IGB USA

Registered Head Office: 200 Vesey St. 24th floor - New York, NY 10281 (USA)

T. +1 (646) 58 31 512 - info@igbressan.com - www.igbressan.com